

BALDOR® • RELIANCE 

Product Information Packet

CFSWDM3546T-E

1HP, 1760RPM, 3PH, 60HZ, 143TC, 3522M, TENV, F1

Part Detail							
Revision:	E	Status:	PRD/A	Change #:		Proprietary:	No
Type:	AC	Elec. Spec:	35WGW045	CD Diagram:	CD0005	Mfg Plant:	
Mech. Spec:	35E4742	Layout:	35LYE4742	Poles:	04	Created Date:	07-25-2017
Base:	RG	Eff. Date:	08-20-2019	Leads:	9#18		

Specs			
Catalog Number:	CFSWDM3546T-E	Inverter Code:	Inverter Ready
Enclosure:	TENV	KVA Code:	M
Frame:	143TC	Lifting Lugs:	No Lifting Lugs
Frame Material:	Stainless Steel	Locked Bearing Indicator:	Locked Bearing
Output @ Frequency:	1.000 HP @ 60 HZ	Motor Finish:	UNPAINTED
Synchronous Speed @ Frequency:	1800 RPM @ 60 HZ	Motor Lead Quantity/Wire Size:	9 @ 18 AWG
Voltage @ Frequency:	460.0 V @ 60 HZ	Motor Lead Exit:	Ko Box
	230.0 V @ 60 HZ	Motor Lead Termination:	Flying Leads
XP Class and Group:	None	Motor Type:	3522M
XP Division:	Not Applicable	Mounting Arrangement:	F1
Agency Approvals:	CSA	Power Factor:	74
	UR	Product Family:	WD All SS Encapsulated
Auxillary Box:	No Auxillary Box	Pulley End Bearing Type:	Sealed Bearing
Auxillary Box Lead Termination:	None	Pulley Face Code:	C-Face
Base Indicator:	Rigid	Pulley Shaft Indicator:	Standard
Bearing Grease Type:	Polyrex EM (-20F +300F)	Rodent Screen:	None
Blower:	None	RoHS Status:	ROHS COMPLIANT
Current @ Voltage:	1.500 A @ 460.0 V	Shaft Extension Location:	Pulley End

	3.000 A @ 230.0 V	Shaft Ground Indicator:	No Shaft Grounding
	3.100 A @ 208.0 V	Shaft Rotation:	Reversible
Design Code:	B	Shaft Slinger Indicator:	No Slinger
Drip Cover:	No Drip Cover	Speed Code:	Single Speed
Duty Rating:	CONT	Motor Standards:	NEMA
Electrically Isolated Bearing:	Not Electrically Isolated	Starting Method:	Direct on line
Feedback Device:	NO FEEDBACK	Thermal Device - Bearing:	None
Front Face Code:	Standard	Thermal Device - Winding:	None
Front Shaft Indicator:	None	Vibration Sensor Indicator:	No Vibration Sensor
Heater Indicator:	No Heater	Winding Thermal 1:	None
Insulation Class:	H	Winding Thermal 2:	None

Nameplate NP1953A01										
CAT.NO.	CFSWDM3546T-E									
SPEC.	35E4742W045G1									
HP	1									
VOLTS	230/460									
AMP	3/1.5									
RPM	1760									
FRAME	143TC				HZ	60			PH	3
SER.F.	1.15		CODE	M	DES	B		CLASS	H	
NEMA-NOM-EFF	85.5			PF	74					
RATING	40C AMB-CONT									
CC	010A				USABLE AT 208V			3.1		
DE	6205			ODE	6205					
ENCL	TENV		SN							
	4:1CT, 10:1VT									

Parts List		
Part Number	Description	Quantity
SA350603	SA 35E4742W045G1	1.000 EA
RA339259	RA 35E4742W045G1	1.000 EA
35CB1012A01	35-36 MACH MID SECTION - 3 PC. CONDUIT B	1.000 EA
10XN1032FS08	HEX HD CAP SCREW 10-32 X 1/2 SS FOOD SAF	3.000 EA
11XW1032G08	10-32 X .50, TAPTITE II, HEX WSHR SLTD U	1.000 EA
HW3001B02	BRASS CUP WASHER W/GROUND SYMBOL TAB,	1.000 EA
35EP1940A03	FRONT TENV 205 BRG (STAINLESS)	1.000 EA
RM1070A25	O-RING, VITON/FKM .070CS X 6.190ID	1.000 EA
HA4054	SHORT T-DRAIN FITTING, .125" N.P.T.	1.000 EA
HW4500S33	1/8 NPT STAINLESS #304 SS PLUG	3.000 EA
HW5100A05	WVY WSHR F/205 & 304 BRGS	1.000 EA
35EP1935A02	PULLEY 56C/143-5TC ENCL 205 BRG	1.000 EA
RM1070A25	O-RING, VITON/FKM .070CS X 6.190ID	1.000 EA
HW4600G01	.984X1.499X.25 VITON SLICK SERIES LIP	1.000 EA
HW4600E99	25 X 42 X 6 AFX SEAL, GRAPHITE INFUSED V	1.000 EA
HW4500S33	1/8 NPT STAINLESS #304 SS PLUG	3.000 EA
HA4054	SHORT T-DRAIN FITTING, .125" N.P.T.	1.000 EA
RM1070A26	O-RING,4.5MM I.D.X1.5MM C.S. (VITON)	4.000 EA
RM1070A81	O-RING, -043 VITON/FKM .070CS X 3.489ID	1.000 EA
35CB1511A01	35-36-37 MACH. LID - 3 PC. CONDUIT BOX	1.000 EA
RM1070A81	O-RING, -043 VITON/FKM .070CS X 3.489ID	1.000 EA
HW2502D13	SS KEY, 3/16 SQ X 1.375	1.000 EA
HA7000A04	KEY RETAINER 0.625 DIA SHAFTS	1.000 EA
MJ5001A27	32220KN GRAY SEALER *MIN BUY 4 QTS=1GAL	0.005 QT

Parts List (continued)		
Part Number	Description	Quantity
MJ5004A93	FOOD GRADE (H1 RATED) ANTISEIZE THRD COM	0.005 EA
MJ1000A02	GREASE, MOBIL POLYREX EM - 124047	0.050 LB
WD5603A01	KIT, CLOSED-END LEAD SPLICE (18-14GA)	1.000 EA
HA3100FS25	THRUBOLT, 10-32 X 9.500 SS FOOD SAFE	4.000 EA
36PA1000	PKG GRP, PRINT PK1016A06	1.000 EA
MN416A01	TAG-INSTAL-MAINT no wire (1200/bx) 3/19	1.000 EA
HA5027A07	85XU1208S08 FACE DRAIN PINS BAGGED	1.000 EA
FE-0000001	ZRTG FE ASSEMBLY	1.000 EA
PE-0000002	ZRTG PE ASSEMBLY	1.000 EA

AC Induction Motor Performance Data

Record # 57985 - Typical performance - not guaranteed values

Winding: 35WGW045-R001	Type: 3522M	Enclosure: TENV
-------------------------------	--------------------	------------------------

Nameplate Data				460 V, 60 Hz: High Voltage Connection	
Rated Output (HP)	1			Full Load Torque	3.007 LB-FT
Volts	208-230/460			Start Configuration	direct on line
Full Load Amps	3.1-3/1.5			Breakdown Torque	13.4 LB-FT
R.P.M.	1760			Pull-up Torque	7.77 LB-FT
Hz	60	Phase	3	Locked-rotor Torque	9.5 LB-FT
NEMA Design Code	B	KVA Code	M	Starting Current	13.5 A
Service Factor (S.F.)	1.15			No-load Current	1.02 A
NEMA Nom. Eff.	85.5	Power Factor	74	Line-line Res. @ 25°C	14.736 Ω
Rating - Duty	40C AMB-CONT			Temp. Rise @ Rated Load	78°C
S.F. Amps				Temp. Rise @ S.F. Load	91°C
				Locked-rotor Power Factor	54

Load Characteristics 460 V, 60 Hz, 1 HP

% of Rated Load	25	50	75	100	125	150	S.F.
Power Factor	31	49	62	71	77	81	75
Efficiency	73.6	82.3	85	85.5	85.1	84	85.3
Speed	1789.9	1780.1	1770.8	1760.2	1748.7	1736	1753
Line amperes	1.06	1.19	1.35	1.55	1.79	2.07	1.69

Performance Graph at 460V, 60Hz, 1.0HP Typical performance - Not guaranteed values

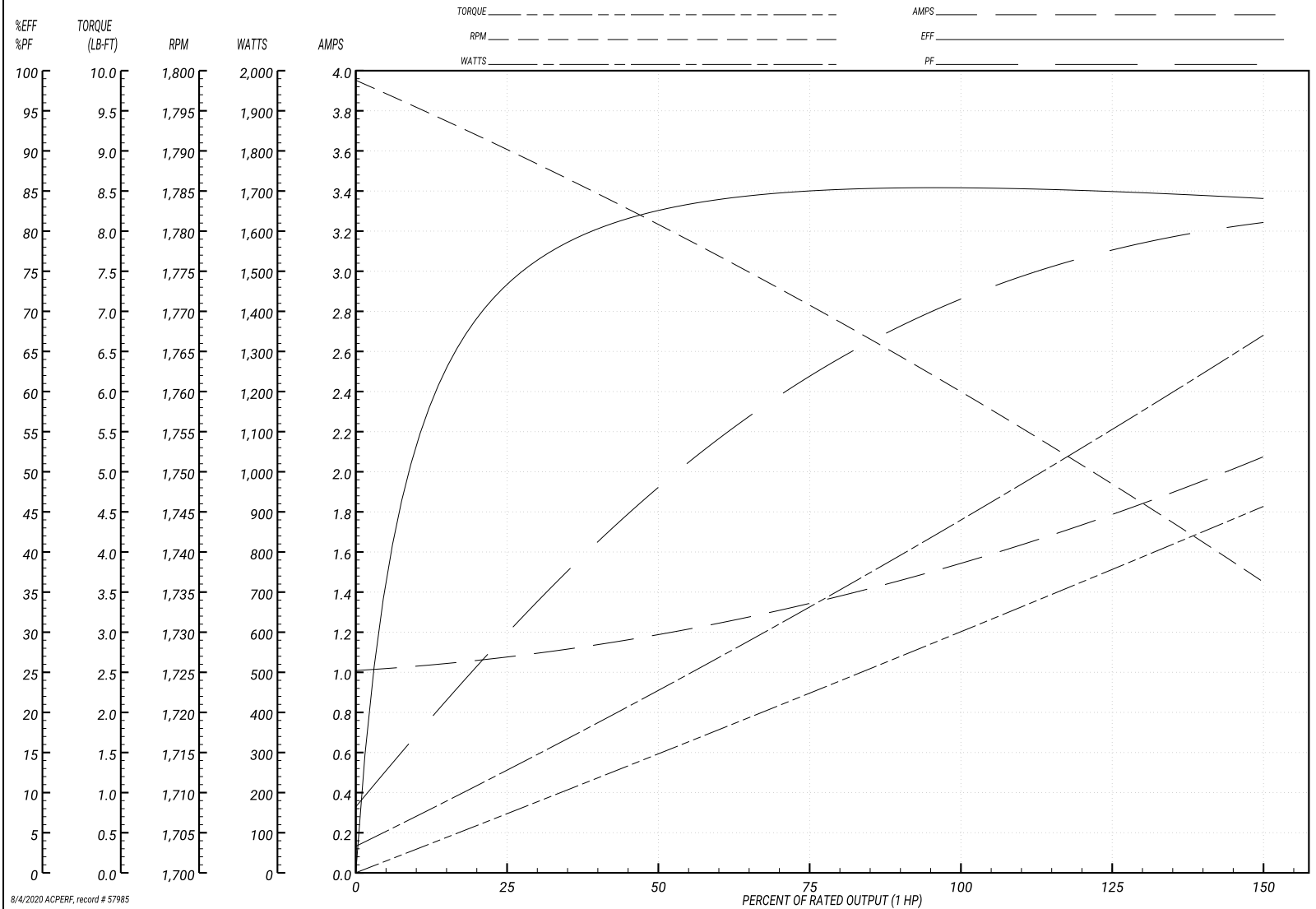
ABB Motors and Mechanical Inc.

WINDING # 35WGWO45

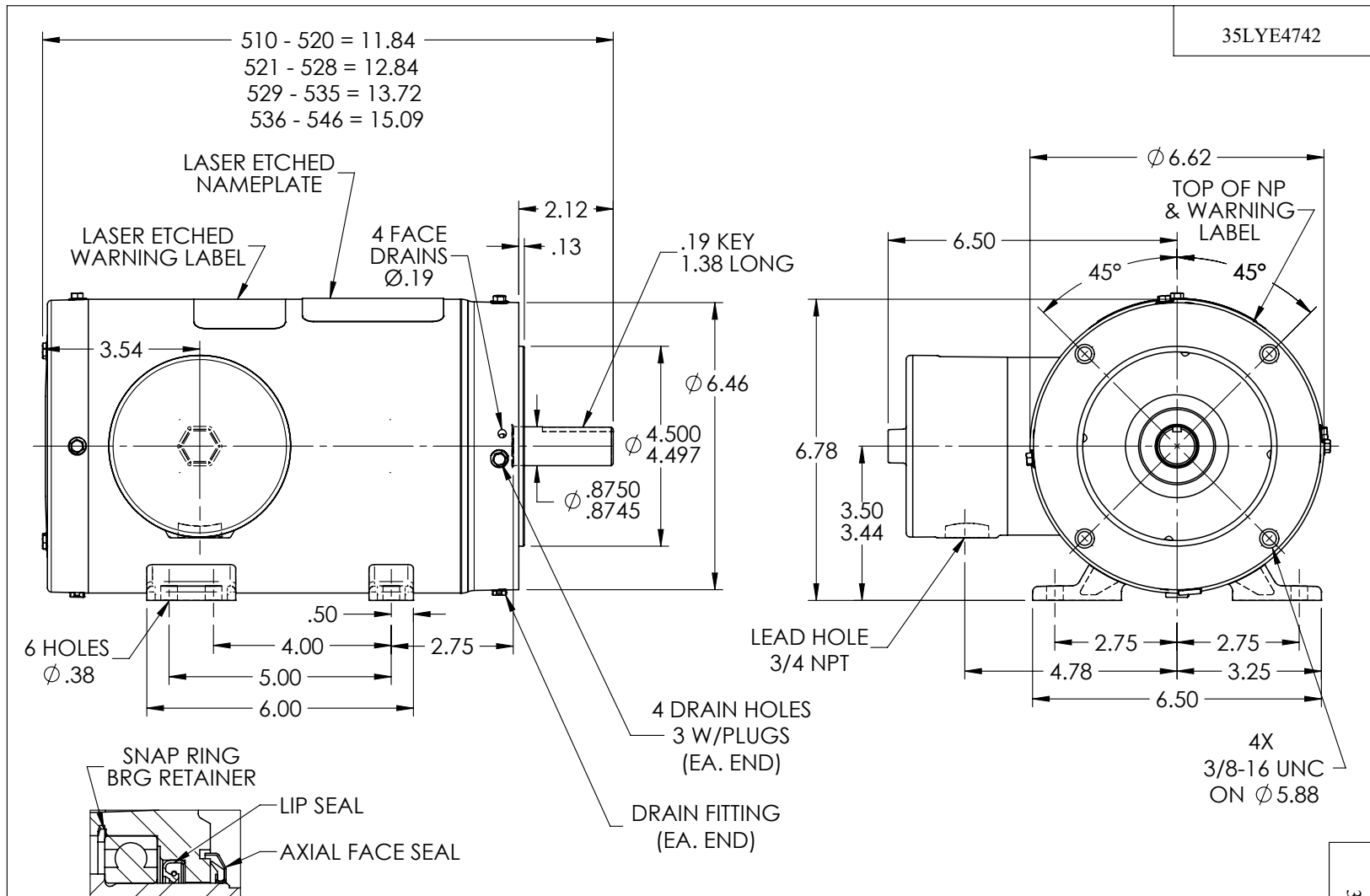
Typical performance - not guaranteed values.

1 HP 3 PH 60 HZ 1760 RPM 460 V 3522M

TORQUES(LB-FT): PO=13.4 PU=7.77 LR=9.5 LRA=13.5



8/4/2020 ACPERE, record # 57985



PULLEY END DETAIL

CUSTOMER IS RESPONSIBLE FOR DETERMINING THAT BALDOR'S PRODUCT WILL PERFORM SUITABLY IN THE INTENDED APPLICATION

REV. DESC: 3.50/3.44 WAS 3.5 +.00/-06			
REV: A	VERSION: 01	REVISED: 06:42:28 04/25/2019	TDR: 000001106847
MODEL NO. 35LYE4742		REF: -	
BY: ENMARH0			

BALDOR

STD HORZ 143/5TC TENV 35M WD11/12

35LYE4742

35LYE4742

CD0005



LOW VOLTAGE
(2Y)



LINE

HIGH VOLTAGE
(1Y)



LINE

NOTES:

1. INTERCHANGE ANY TWO LINE LEADS TO REVERSE ROTATION.
2. OPTIONAL THERMOSTATS ARE PROVIDED WHEN SPECIFIED.
3. ACTUAL NUMBER OF INTERNAL PARALLEL CIRCUITS MAY BE A MULTIPLE OF THOSE SHOWN ABOVE.
4. LEAD COLORS ARE OPTIONAL. LEADS MUST ALWAYS BE NUMBERED AS SHOWN.

REV. DESC: REVISE TO SHOW OPTIONAL COLORS			
REV. LTR: E	BY: JLP	REVISED: 01/19/99 10:15	TDR: 0171435
900000		FILE: AAA00005140	MDL: -
		MTL: -	

BALDOR ELECTRIC Co.

3PH, DV, 9 LEADS

CD0005